

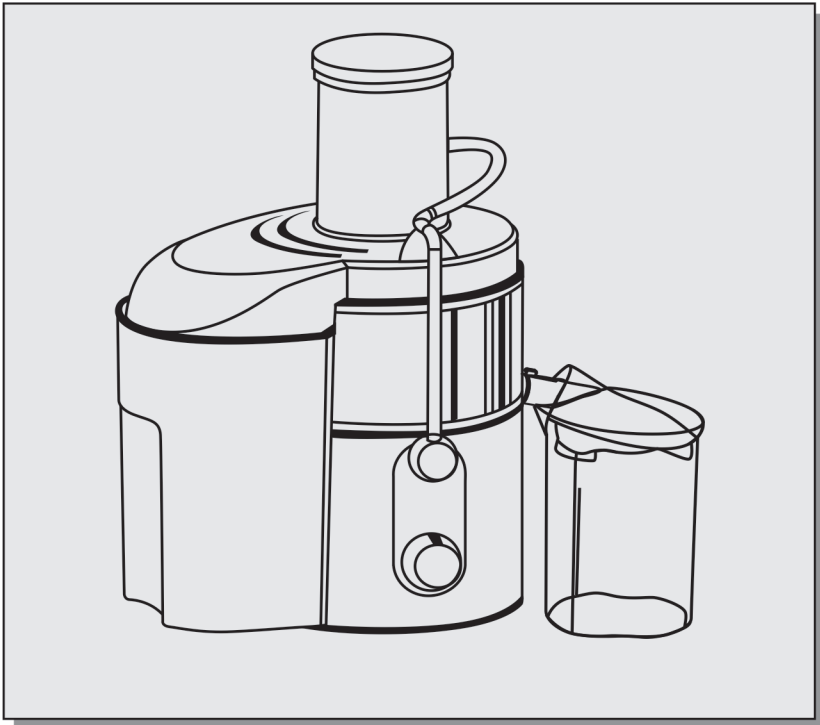
RIFFEL

GIPFEL DES ERFOLGS

Instruction manual

Juice Extractor

Model: RF 808B



Please read instruction manual completely before operating this unit.

Important Operating Instructions

Read these instructions for use carefully before using the appliance and save them for future reference:

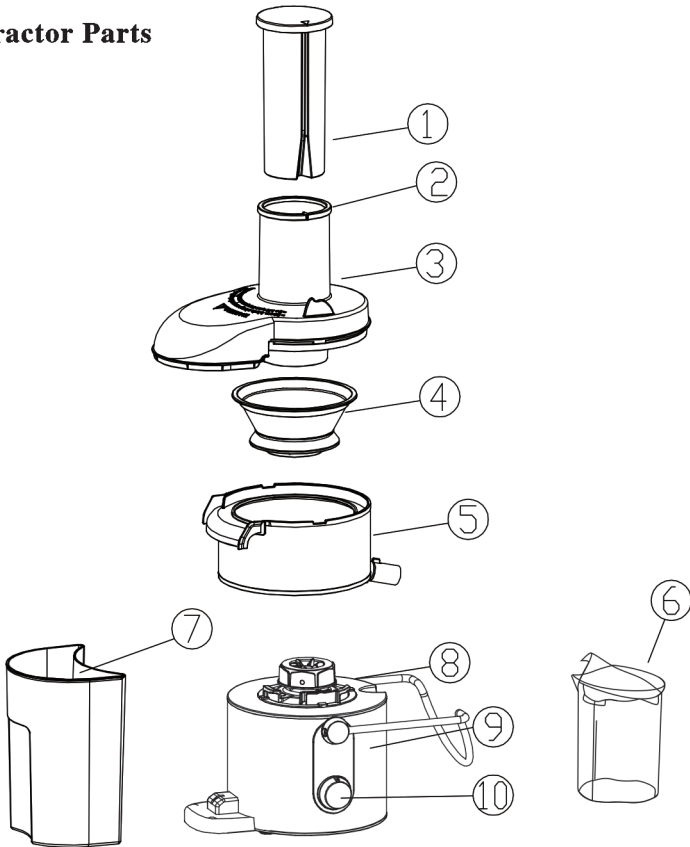
1. Check if the voltage indicated on the base of the appliance corresponds to the local voltage before you connect the appliance.
2. Do not use the appliance when the main cord, the plug or other components are damaged.
3. If the main cord is damaged, it must be replaced by designated service center or similarly qualified persons in order to avoid a hazard.
4. This appliance is intended for household use only.
5. Keep the appliance out of the reach of children. Special attention is necessary if child stand by your side.
6. Never let the appliance operate unattended.
7. Never use accessories or parts made by other manufacturer or that have not been specifically recommended, your guarantee will become invalid if you use such parts or accessories.
8. Place this appliance on the even surface before use, do not place it on or near hot surface, such as electric burner or on any hot surface.
9. Check the spinner every time you want to use the appliance, if detect any cracks or damage, do not use the appliance and contact the designated service center.
10. Make sure all parts are correctly mounted before you switch on the appliance.
11. Do not operate the appliance for more than 2 minutes at a time when heavy loads and let it cool down sufficiently afterwards by turning the switch knob to " O ".
12. Never reach into the feeding tube with your fingers or an object while the appliances is running. Only the pusher is to be used for this purpose.
13. Only unlock the lever handle after you have switched the appliance off and the spinner has stopped rotating.
14. Do not remove the pulp collector when the appliance is in operation.
15. Do not touch the small cutting blades in the base of the spinner.
16. Always unplug the appliance after use.
17. Never immerse the motor unit in water or any other liquid. Do not rinse it either.
18. Put fruit into the feeding tube with fruit head downward before juice extracting, and use pusher to gently guide the fruit in.

Special Suggestions:

1. Remove fruit seeds and stones if it is the fruit with big seeds and stones, such as peach, apricot, plum and cherry etc; And peel off if it is the fruit with thick seedcase or the seedcases is inedible.
2. To extract more juice, don't push the pusher hastily.

Parts Description

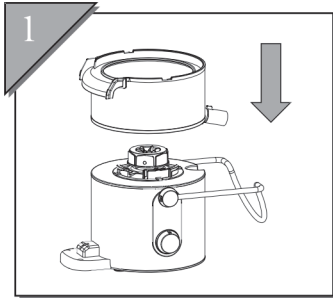
Juice Extractor Parts



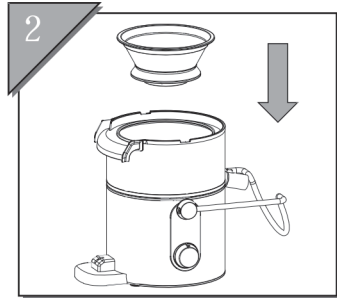
Parts Description

- | | |
|---------------------|------------------|
| 1.Pusher | 7.Foam Separator |
| 2.Feeding Tube | 8.Lever Handle |
| 3.Transparent Cover | 9.Motor Unit |
| 4.Spinner | 10.Switch Knob |
| 5.Middle Support | |
| 6.Juicer Cup | |

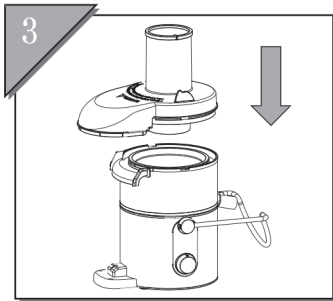
How to Use Juice Extractor



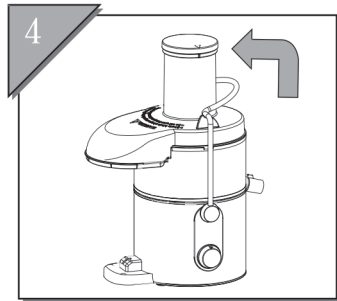
Place the bowl on motor unit.



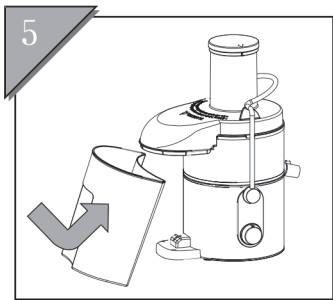
Place the spinner over the vane and press it downward until it snaps into place.



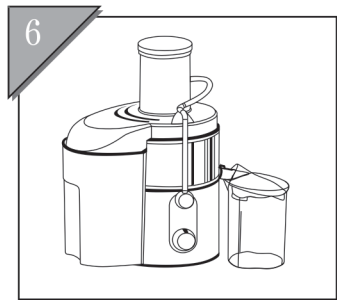
Place transparent cover into the appliance by aligning pole to hole.



Fix lever handle by pushing it upwards.



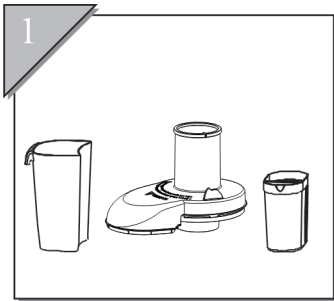
Place the pulp collector under the pulp spout by tilting it forwards slightly.



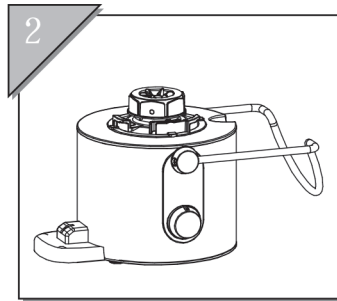
Slide the pusher into the feeding tube by aligning the groove in the pusher, and place the foam separator under the juice spout before operation, Plug in and turn the switch knob to " I ".

Cleaning Method and Suggestions

1. Switch the appliance off, remove the plug from the wall socket and wait until the spinner has stopped rotating.
2. Remove the dirty parts from the motor unit, disassemble the appliance in the following order:
 - Pull the lever handle off the shoulder by pushing it downwards
 - Remove the pulp collector
 - Remove the pusher
 - Remove the transparent cover
 - Remove the spinner



Clean these parts with water.



Clean motor unit with dry cloth, never immerse the motor unit in water nor rinse it under the tap.

Special Suggestions:

1. Discoloration of the plastic may occur with strongly-coloured fruits and vegetables, it is normal phenomena. To prevent this, wash the stained parts immediately after use.
2. Do not use abrasive cleaning agents, scourers, acetone, alcohol etc. to clean the appliance
3. Wash every parts (except motor unit) with neutral detergent, and wipe dry with soft cloth. Don't use harsh abrasives or corrosive detergent to avoid damage of parts.
4. Cutting blade is very sharp, pay more attention when clean it with brush,
5. For storage, make sure all the parts are dry enough, and store them in a clean and dry place.

Technical Data:

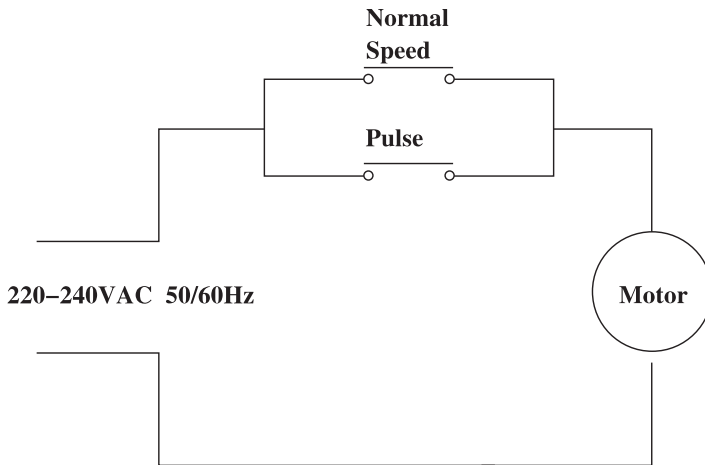
Voltage: AC220-240V

Frequency:50/60Hz

Power:800W

Rotation Speed:8000~18000 RPM

Circuit Diagram:



RIFFEL
GIPFEL DES ERFOLGS

WWW.RIFFELAPPLIANCES.DE